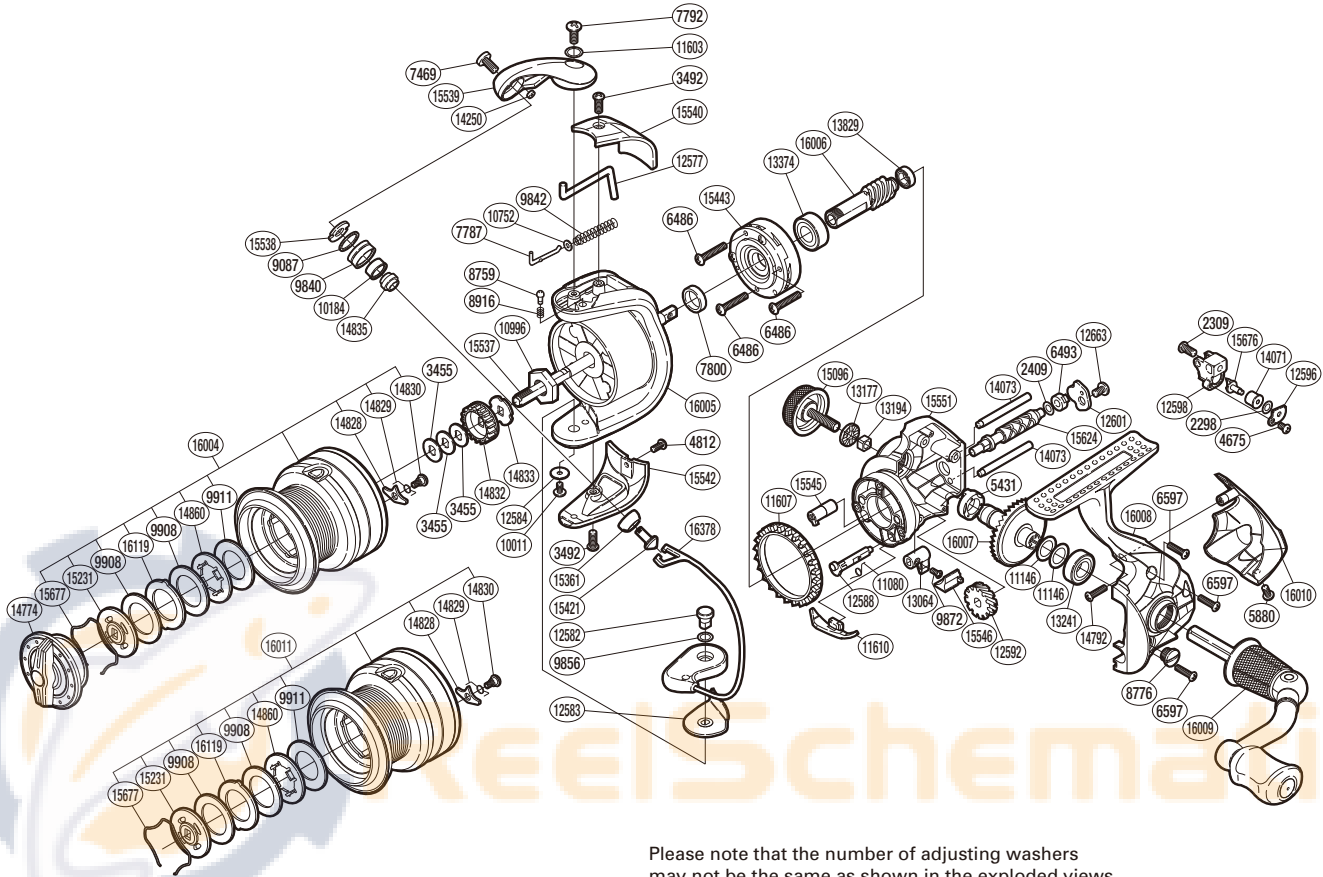


SHIMANO

TECHNIUM SA-RB

TEC-2500FD



(51SG762503G)

Please note that the number of adjusting washers may not be the same as shown in the exploded views. (Adjustment will vary with each individual product.)

Part No.	Description	Part No.	Description	Part No.	Description
RD 2298	Spacer ***	RD11603	Washer	RD15231	Key Washer
RD 2309	Screw	RD11607	Friction Ring	RD15361	Line Roller Support Cover *
RD 2409	Spacer ***	RD11610	Bail Trip Strike	RD15421	Line Roller Support *
RD 3455	Spool Washer	RD12577	Bail Trip Lever	RD15443	Roller Clutch Assembly
RD 3492	Screw	RD12582	Bail Hold Support Shaft	RD15537	Main Shaft
RD 4675	Screw	RD12583	Bail Hold Support Spacer	RD15538	Line Roller Plate *
RD 4812	Screw	RD12584	Washer	RD15539	Bail Arm
RD 5431	Drive Gear Bushing *****	RD12588	Anti-Reverse Cam	RD15540	Bail Spring Cover
RD 5880	Screw	RD12592	Idle Gear **	RD15542	Bail Hold Support Guard
RD 6486	Screw	RD12596	Oscillating Pawl Cover	RD15545	Worm Bushing (front) ***
RD 6493	Worm Bushing (rear) ***	RD12598	Oscillating Slider	RD15546	Anti-Reverse Lever Cover
RD 6597	Screw	RD12601	Worm Shaft Retainer	RD15551	Body
RD 7469	Screw *	RD12663	Screw	RD15624	Worm Shaft ***
RD 7787	Bail Spring Guide A	RD13064	Anti-Reverse Lever	RD15676	Oscillating Pawl ***
RD 7792	Screw	RD13177	Handle Screw Cap Spacer	RD15677	Drag Washers Retainer
RD 7800	Rotor Ring	RD13194	Handle Screw Lock	RD16004	Spool Assembly
RD 8759	Click Pin	RD13241	Ball Bearing *****	RD16005	Rotor
RD 8776	Oil Cap	RD13374	Ball Bearing *****	RD16006	Pinion Gear **
RD 8916	Click Spring	RD13829	Ball Bearing *****	RD16007	Drive Gear **
RD 9087	Line Roller Spacer *	RD14071	Oscillating Slider Bushing ***	RD16008	Side Cover
RD 9840	Line Roller *	RD14073	Oscillating Guide	RD16009	Handle Assembly
RD 9842	Bail Spring	RD14250	Line Roller Oil Cap	RD16010	Rear Protector
RD 9856	Washer	RD14774	Drag Knob	RD16119	Eared Washer
RD 9872	Screw	RD14792	Screw	RD16378	Bail Assembly
RD 9908	Drag Washer	RD14828	Drag Click *****		
RD 9911	Drag Washer	RD14829	Drag Click Spring *****	RD16011	Spare Spool Assembly
RD10011	Screw	RD14830	Screw *****		
RD10184	Line Roller Bushing *	RD14832	Spool Support A	PK 0205	Line Roller Set *
RD10752	Bail Spring Guide A Support	RD14833	Spool Support B	PK 0208	Gear Set **
RD10996	Rotor Nut	RD14835	Line Roller Collar *	PK 0293	Oscillation Set ***
RD11080	Anti-Reverse Cam Spring	RD14860	Key Washer	PK 0134	Bearing Set *****
RD11146	Washer **/*****	RD15096	Handle Screw Cap	PK 0085	Drag Clicker Set *****